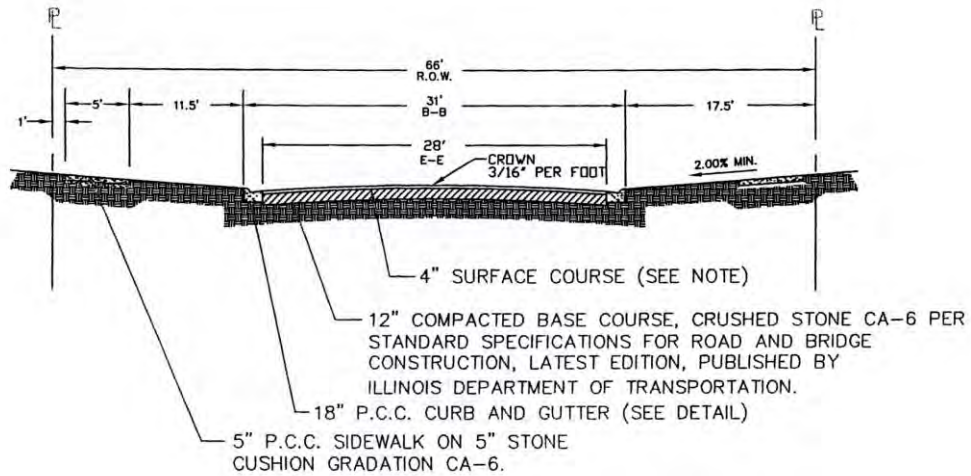


APPENDICES

APPENDIX A TYPICAL ROAD CROSS SECTIONS



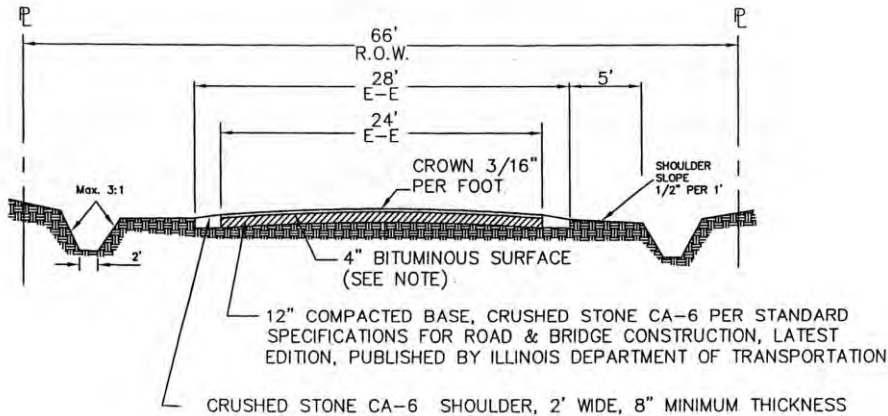
SURFACE COURSE

SURFACE COURSE SHALL CONSIST OF CONCRETE BINDER COURSE CLASS I - 2 1/2" COMPACTED THICKNESS AND BITUMINOUS CONCRETE SURFACE COURSE CLASS I - 1 1/2" MINIMUM COMPACTED THICKNESS.

BASE COURSE

BASE COURSE SHALL BE 12" AGGREGATE BASE COURSE TYPE "B" IN ACCORDANCE WITH STATE SPECIFICATIONS. BASE SHALL BE CONSTRUCTED ON A COMPACTED, PREPARED AND ROLLED SUBGRADE. BASE SHALL BE PRIMED WITH MC-30 PRIOR TO PAVING.

TYPICAL URBAN STREET CROSS SECTION



BITUMINOUS SURFACE

BITUMINOUS SURFACE SHALL CONSIST OF 1-1/2" MINIMUM COMPACTED THICKNESS BITUMINOUS CONCRETE SURFACE COURSE; CLASS I, OVER 2-1/2" MINIMUM COMPACTED THICKNESS BITUMINOUS BINDER COURSE, CLASS I.

BASE COURSE

BASE COURSE SHALL BE 12" AGGREGATE BASE COURSE TYPE "B" IN ACCORDANCE WITH STATE SPECIFICATIONS. BASE SHALL BE CONSTRUCTED ON A COMPACTED, PREPARED AND ROLLED SUBGRADE. BASE SHALL BE PRIMED WITH MC-30 PRIOR TO PAVING.

TYPICAL RURAL STREET CROSS SECTION

APPENDIX B ENTRANCES

NOTE: INLETS MAY BE REQUIRED TO BE INSTALLED INTO THE C.M.C.P IF NECESSARY FOR DRAINAGE.

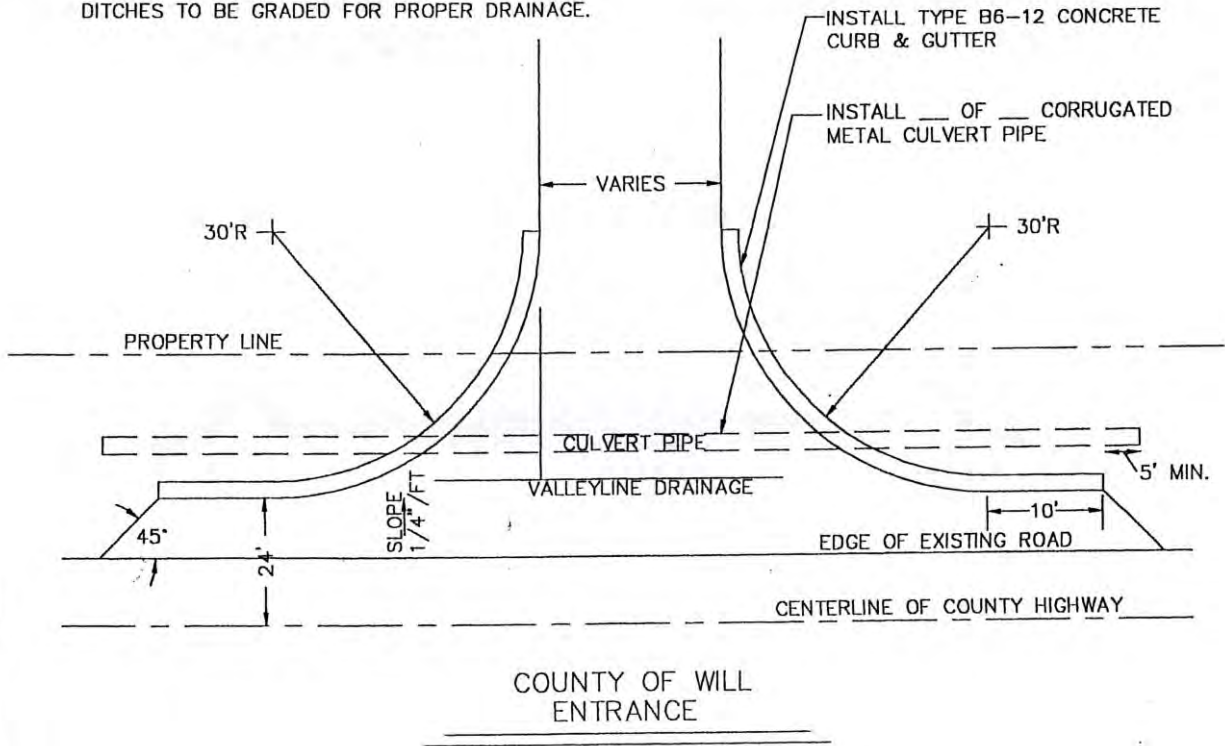
NOT TO SCALE

ALL CONSTRUCTION TO BE DONE ACCORDING TO STATE OF ILLINOIS "STANDARD SPECIFICATION FOR ROAD AND BRIDGE CONSTRUCTION"

ALL GROUND AREAS DISTURBED SHALL BE RESEEDED AND MULCHED OR JUTE MATTED AS SOON AFTER CONSTRUCTION AS POSSIBLE.

DITCHES TO BE GRADED FOR PROPER DRAINAGE.

CUT OUT DIRT ON SHOULDER & INSTAL
 --- AGGREGATE BASE COURSE &
 --- BITUMINOUS ASPHALT SURFACE



INDEX

A

Access Control · 30
Alleys · 30
Appeals of Administrative Decisions
 procedure for · 87
Application Completeness · 71
Application Filing Fees · 71
Applications Submitted Before
 effective date of ordinance · 7
As-Built Plans · 16

B

Berm
 defined · 97
 design of · 48
Block · *See* Lots and Blocks
 defined · 97
 general arrangement and layout · 25
 required dimensions · 25
Buffer
 defined · 97
Building Setback Line
 defined · 97

C

Chief Subdivision Engineer
 summary of authority · 91
Commentaries
 how to interpret · 6
Common Open Space
 defined · 97
Conditions of Approval · 72
Conflicting Provisions · 4
Conservation Easement
 defined · 98
Construction Schedule
 defined · 98
 usage · 80
Conventional Subdivision
 defined · 98
County Board
 defined · 97
 summary of authority · 91
County Highway Engineer
 summary of authority · 92
Crosswalks · 25
Cul-de-sacs · 31
 defined · 98
Curb and Gutter · 33

D

Dead-end Street
 defined · 98
Deciduous
 defined · 98
Dedications
 acceptance of · 16
Deed Restriction
 defined · 98
Definitions · 97
Delegation of Authority · 6
Density, Gross
 defined · 98
Design Standards and Guidelines
 general · 21
Detention Basin
 defined · 98
Double-Frontage Lot · 24
 defined · 101
Driveway
 defined · 99
 design of · 29

E

Easements · 39
 defined · 99
 drainage · 39
 screen planting · 39
 utility · 39
Effective Date
 of subdivision ordinance · 3
Enforcement · 89
Erosion and Sedimentation Control · 43
Evergreen
 defined · 100

F

Final Acceptance
 defined · 100
Final Plats
 review and approval procedure · 81
Flood
 defined · 100
Floodplain
 defined · 100
Floodway
 defined · 100
Fractions
 interpretation of · 5
Frontage road
 defined · 100

H

Half Streets · 31
 defined · 100
 Hedge
 defined · 101
 Horizontal Curves · 34

I

Improvement Plans
 review and approval procedure · 79
 Improvements
 acceptance of · 16
 construction and inspection · 17
 generally · 13
 Individual Wastewater Disposal Systems · 41
 Intersections
 design of · 29

L

Landscape Screening · 47
 defined · 105
 Landscaping · 47
 Lot Line
 defined · 102
 side lot line orientation · 25
 Lots and Blocks · 24
 lot area and dimensions generally · 24
 lot-related definitions · 100, 101, 102

M

Mature Woodland
 defined · 92
 Minor Subdivisions
 defined · 103
 generally · 69
 Mulch
 defined · 103

N

Natural Preserve
 defined · 103

O

Open Space
 defined · 104
 Ornamental Tree
 defined · 104
 Outlots · 24
 defined · 104

P

Parcel
 defined · 104
 Parkland Dedication · 45
 Parks · 45
 Penalties · 93
 Permits Issued Before
 effective date of ordinance · 7
 Phasing Plans · 76, 80
 Planned Unit Development
 defined · 104
 Plat
 defined · 105
 Plat Committee
 defined · 105
 summary of authority · 91
 Preapplication Meetings · 73
 Preliminary Plats
 review and approval procedure · 75
 Property Owners Associations · 18
 Purposes
 of subdivision ordinance · 3

R

Reverse Curves · 34
 Review and Approval Procedures · 67
 Rights-of-Way and Pavement Width · 32
 Road District Commissioner
 summary of authority · 92
 Rules of Language and Interpretation · 5

S

Severability · 4
 Shade Tree
 defined · 105
 Shrub
 defined · 105
 Sidewalks · 37
 Site Development Plan
 defined · 105
 Sketch Plan · 73
 Special Flood Hazard Area
 defined · 105
 Special Use
 defined · 106
 Stormwater · 41
 management · 41
 Street Frontage · 24
 Streets · 27
 layout and alignment of · 28
 private streets · 27
 defined · 106
 street grades · 34
 street names · 35
 street signs · 35
 streetlights · 35

Subdivision Approval Process
overview · 69
Subdivision Design and Improvements
improvements required · 13
property owners associations · 18
subdivision guarantees · 14
Subdivision Guarantees · 14
form and amount · 14
release of · 15
Subdivision Warranty · 17

T

Temporary T-Turnarounds · 32
Trails · 37
Transitional Provisions · 7
Trees
in frontyards · 47
in parkways · 47
Turnaround
defined · 107

U

Understory
defined · 107

V

Vacations
review and approval procedure · 83
Vertical Curves · 34
Violations · 93

W

Waivers and Modifications
procedure for · 85
Wastewater · 41
Water Supply · 41
Wetland
defined · 107
regulated wetland defined · 107
Will County Health Department
summary of authority · 92